

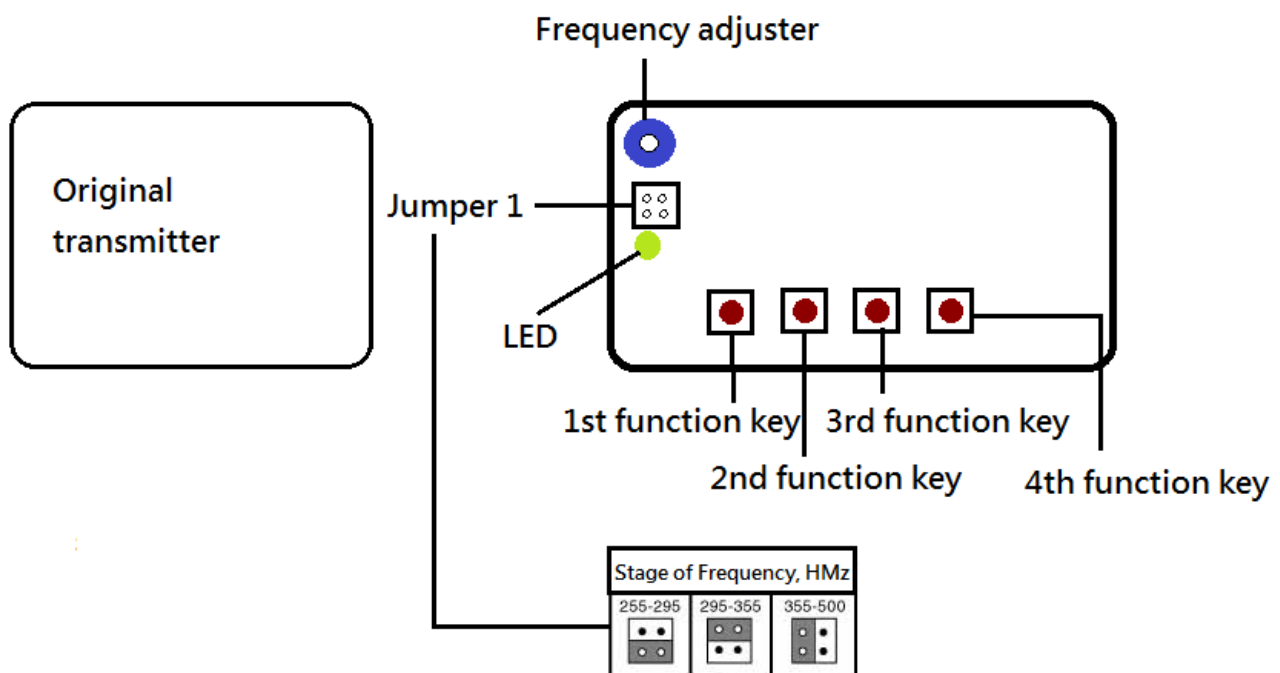
INSTRUCTION MANUAL FOR SELF-LEARNING MODEL RMC-600(LRT-1) & Y2K10L



RMC-600(LRT-1)



Y2K10L



Note: If the original remote is code hopping you will not be able to copy it successfully.

1). Adjust the frequency:

a. Find out the frequency of original remote and move the jumper to corresponding position as above figure.

b. Place LRT-1 on a flat surface (keep away from metal table), press 1st and 2nd buttons of LRT-1 **at exactly same time**. Release 2nd button after the LED light flashes 4 times(still hold 1st button).

c. Place original remote you want to copy nearby LRT-1. Hold any button of original remote and see if the LED light flashes. If not, adjust the frequency by the tuning bar until the LED of LRT-1 flashes 3 times.

d. Still hold the 2 buttons and keep increasing the distance of both remotes and adjusting the frequency at the same time until the LED show maximum brightness when the distance reaches 3cm.

****** If you have a frequency counter, you can adjust the frequency of LRT-1 to right frequency by frequency counter directly.

2). Copy the buttons:

e. Place the two remotes within 2 cm of each other. Press the button you want to save and any other button of LRT-1 **at exactly same time** until the LED light flashes 4 times.

f. Keep holding the button you want to save and release another button of LRT-1. Hold the button of original remote that you want to copy until the LED of LRT-1 flashes 3 times.

g. Repeat above **e.** & **f.** steps to copy the rest buttons to finish the copying procedure.

3). Please make sure only to copy remotes in areas far from electrical interference. Otherwise, the copying may be done incorrectly.